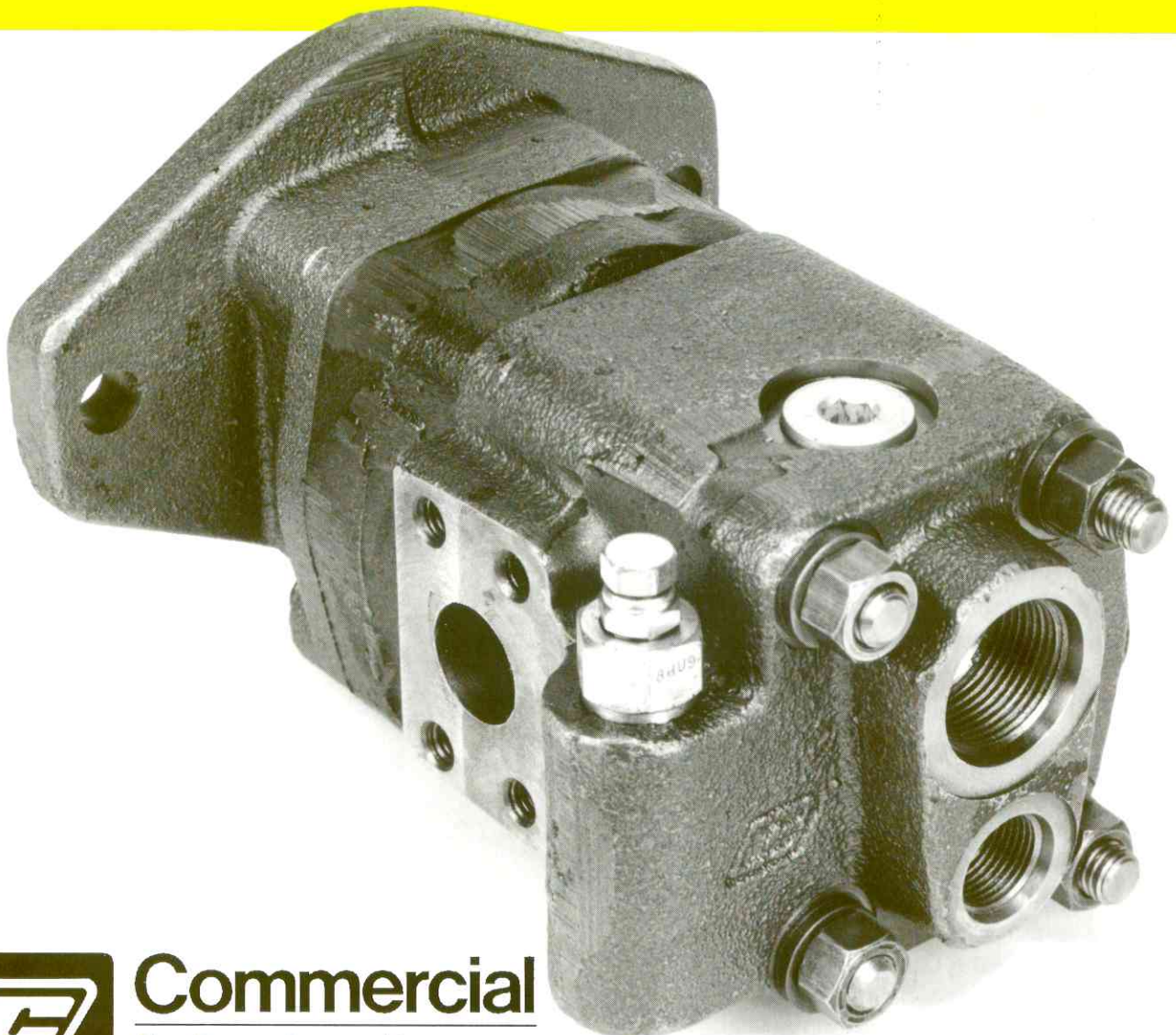


# Priority Outlet Valve

**For P315 Pumps**

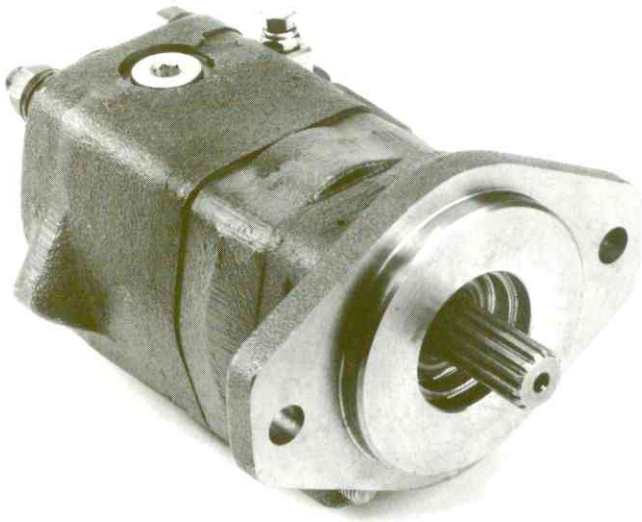
**1 to 11 gpm  
Priority Flow**



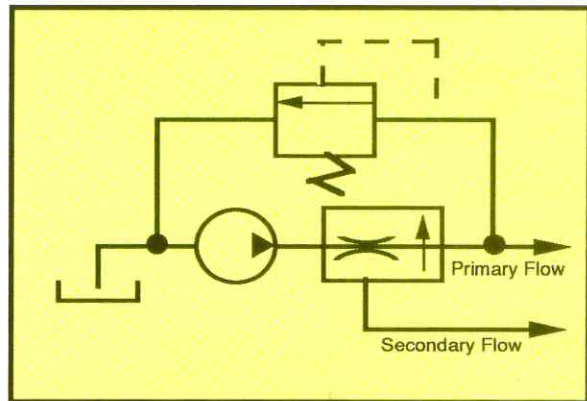
®



**Commercial  
Intertech**



## Circuit Symbol



## Priority Outlet Valves for P315 pumps

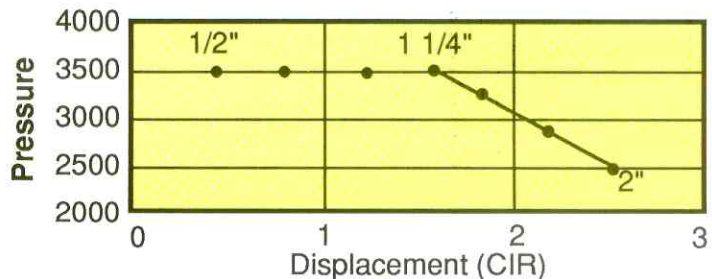
Commercial's priority outlet valves assure a constant supply of oil to a machine function regardless of changes in the pump's speed or the increased demand of other circuits. Pump output, however, must be equal to or greater than the primary flow requirement.

Primary flow from the P315 pump can be specified in a range from 1 to 11 gpm and is controlled to within  $\pm 10\%$  of the nominal flow. Flow is controlled by a fixed orifice and is not adjustable in the field.

Secondary flow is available to any other machine function or back to tank. The fully pressure compensated valve spool enables primary and secondary flows to be pressurized independently or at the same time. A built-in relief valve protects the primary circuit from excessive pressure by relieving to the pump's inlet.

This priority valve is particularly useful for power steering circuits where a constant flow of oil is vital. Also, by combining two functions in one pump, the need for a second PTO and pump is eliminated.

P315 Max Operating Pressure By Gear Width



- 1/2" to 1 1/4" – 3500 psi
- 1 1/2" – 3250 psi
- 1 3/4" – 2900 psi
- 2" – 2500 psi

## P315 Output Data

In gpm @ maximum rated pressure

Speed RPM	Gear Width (inches)						
	1/2	3/4	1	1 1/4	1 1/2	1 3/4	2
600	1.0	1.4	2.5	2.8	3.5	4.6	5.1
1200	2.5	3.9	5.7	7.0	8.5	10.3	11.7
1800	4.1	6.4	8.9	11.1	13.6	16.1	18.4
2000	4.6	7.2	10.0	12.5	15.2	18.0	20.6
2400	5.6	8.9	12.2	15.3	18.6	21.8	25.0
3000	7.2	11.4	15.4	19.4	23.6	27.5	31.6

Test specifications for output data:  
Temperature @ 120°F – Viscosity @ 100SSU

Priority outlet valves are also available for Commercial's 25X, P30/31, P50/51, P330 and P350 pumps. These valves mount directly on a special port end cover thereby eliminating piping needed for in-line installations.

All of Commercial's pumps are available as tandem or multiple units of two or more sections.

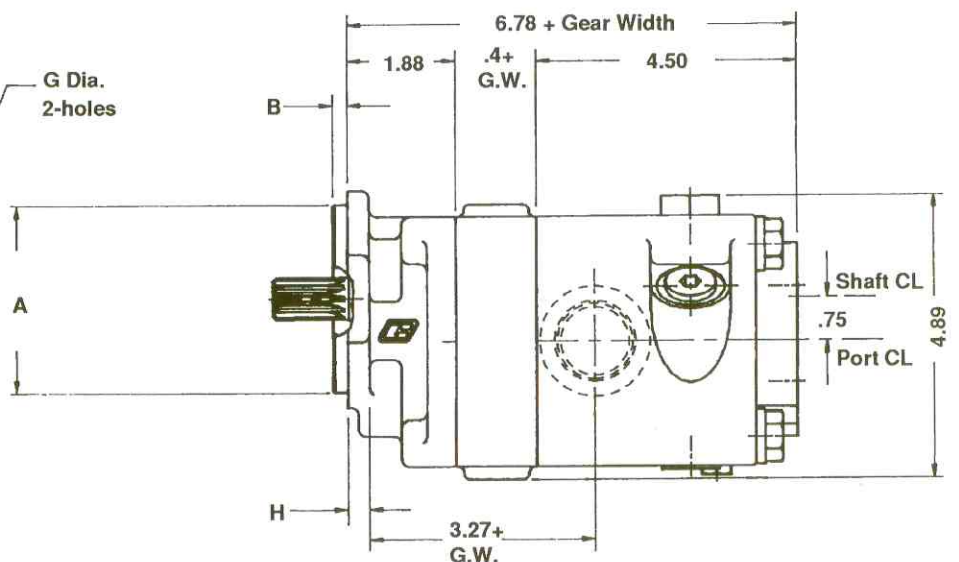
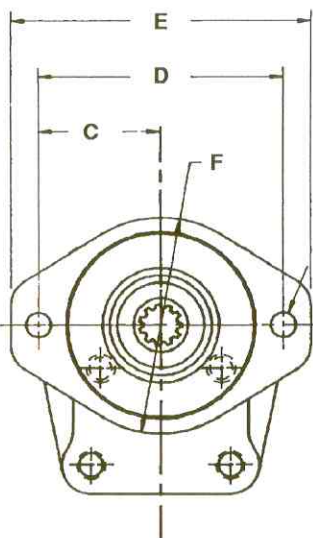
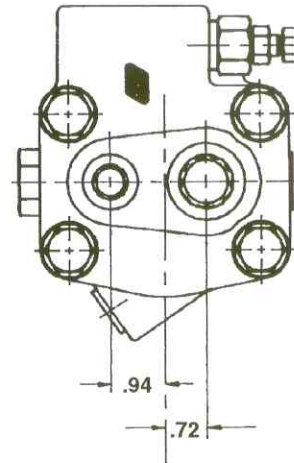
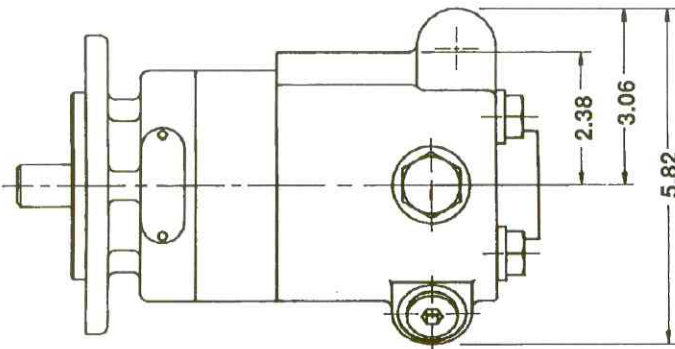
### More Information

For mountings and drive shaft configurations that are available for Commercial's pumps, please refer for the following catalogs:

- Model 25X Catalog H59
- Models P30/50 Catalog H60
- Models P31/51 Catalog H58
- Models P315 & 330 Catalog H73

### Dimensional Data In Inches

Shaft End Cover Type	A	B	C	D	E	F	G	H
SAE A 2-Bolt	3.25	.25	2.09	4.19	5.12	3.75	.44	.38
SAE B 2-Bolt	4.00	.38	2.88	5.75	6.88	4.75	.56	.50



G Dia.  
2-holes