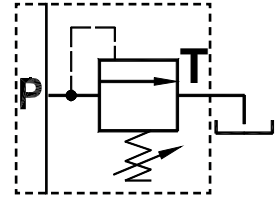
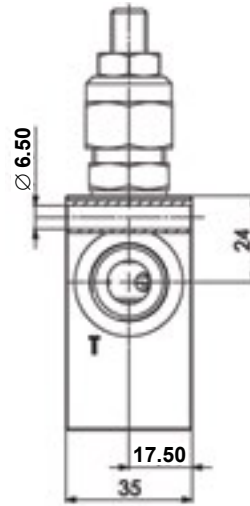
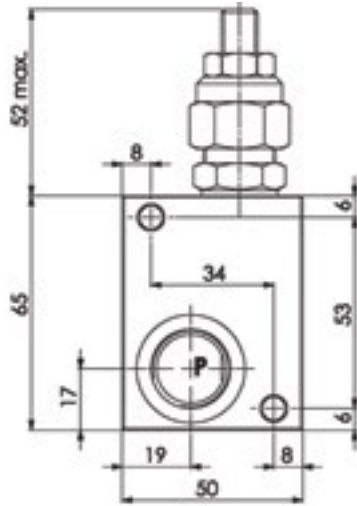




RELIEF VALVES

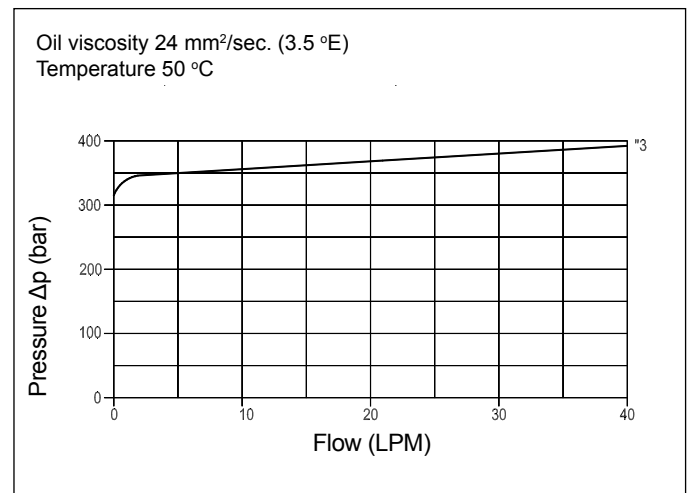
Line Mounted, Direct Acting, Guided Poppet Relief Valve
FPM-D-40-CB-P/3/8-35



Technical Specifications

Materials	Cartridge = steel, zinc plated Internal parts = hardened steel Body = high strength alloy
Rated Flow	40 LPM
Adjustment Range	80 - 350 bar
Standard Setting	80 bar
Pressure Inc. Per Turn	80 bar
Max. Pressure	210 bar
Cartridge with Body Weight	0.410 kg
Installation Torque	45-50 Nm
Port Sizes	P/T = G3/8
Adjustment Type	Leakproof screw
Oil Temperature Range	-20°C + 80°C
Recommended Filtration	Nominal max. 10µ, ISO 4406-19/17/14 (NAS8) or less
Ambient Temperature Range	-30°C + 60°C

Pressure Drop Curves

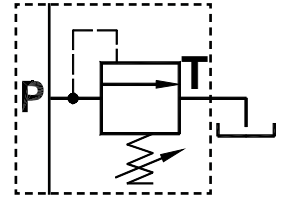
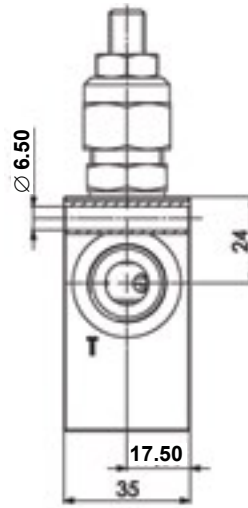
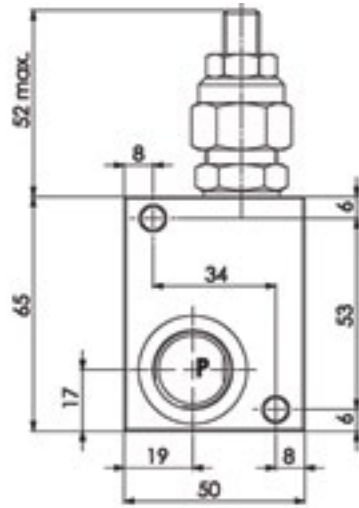
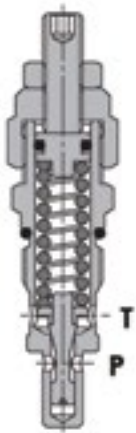




FLUID-PRESS

RELIEF VALVES

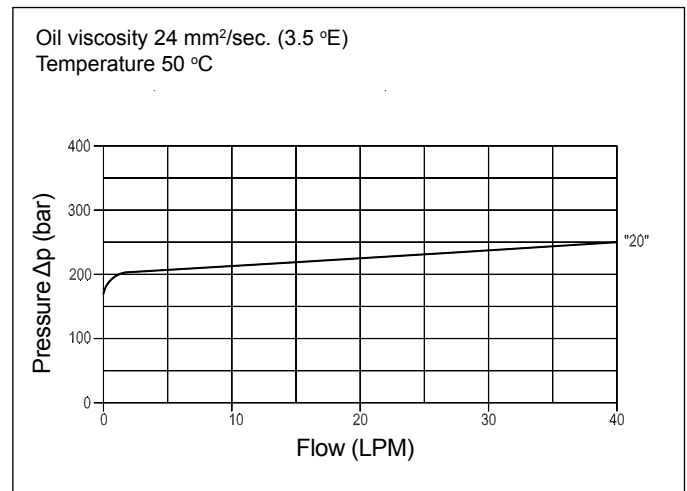
Line Mounted, Direct Acting, Guided Poppet Relief Valve
FPM-D-40-CB-P-1/2-20



Technical Specifications

Materials	Cartridge = steel, zinc plated Internal parts = hardened steel Body = high strength aluminium alloy
Rated Flow	40 LPM
Adjustment Range	50 - 220 bar
Standard Setting	50 bar
Pressure Inc. Per Turn	40 bar
Max. Pressure	220 bar
Cartridge with Body Weight	0.410 kg
Installation Torque	45-50 Nm
Port Sizes	P/T = G1/2
Adjustment Type	Leakproof screw
Oil Temperature Range	-20°C + 80°C
Recommended Filtration	Nominal max. 10µ, ISO 4406-19/17/14 (NAS8) or less
Ambient Temperature Range	-30°C + 60°C

Pressure Drop Curves

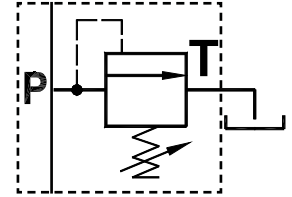
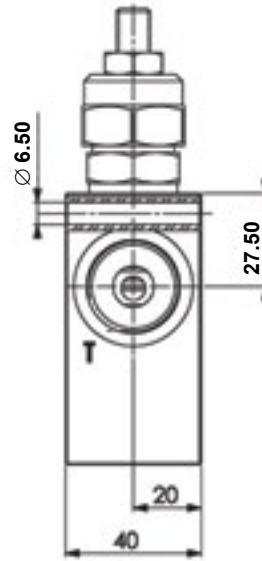
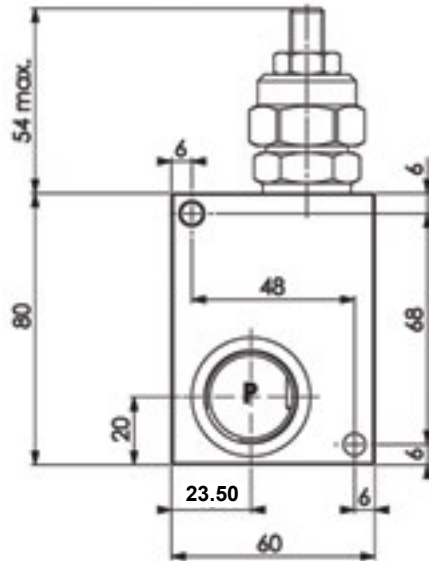
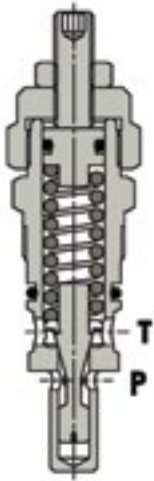




FLUID-PRESS

RELIEF VALVES

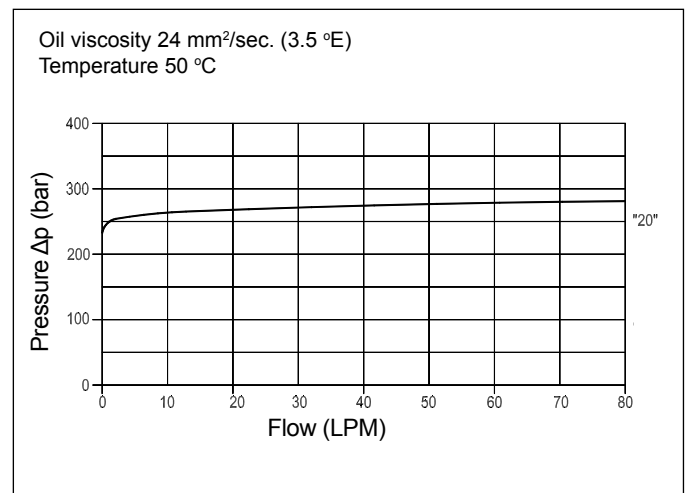
Line Mounted, Direct Acting, Guided Poppet Relief Valve
FPM-D-70-CB-P/1/2-20



Technical Specifications

Materials	Cartridge = steel, zinc plated Internal parts = hardened steel Body = high strength alloy
Rated Flow	80 LPM
Adjustment Range	80 - 280 bar
Standard Setting	80 bar
Pressure Inc. Per Turn	40 bar
Max. Pressure	280 bar
Cartridge with Body Weight	0.730 kg
Installation Torque	70-80 Nm
Port Sizes	G1/2
Adjustment Type	Leakproof screw
Oil Temperature Range	-20°C + 80°C
Recommended Filtration	Nominal max. 10µ, ISO 4406-19/17/14 (NAS8) or less
Ambient Temperature Range	-30°C + 60°C

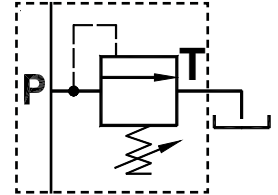
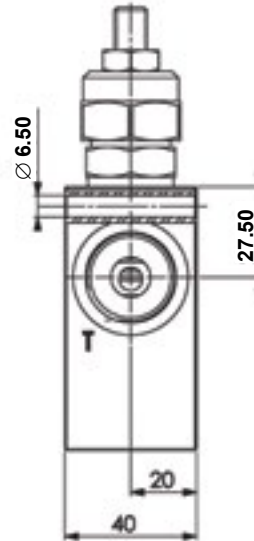
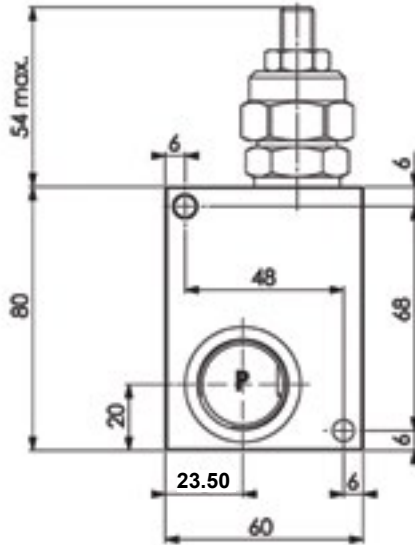
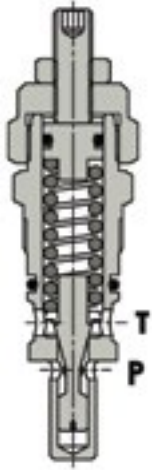
Pressure Drop Curves





RELIEF VALVES

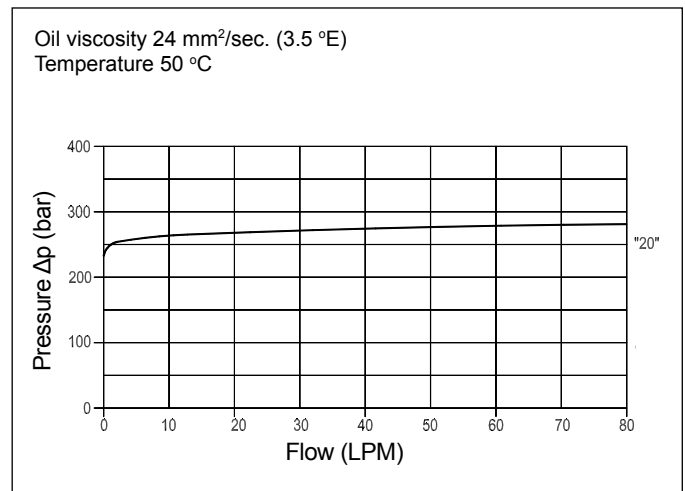
Line Mounted, Direct Acting, Guided Poppet Relief Valve
FPM-D-70-CB-P-3/4-20



Technical Specifications

Materials	Cartridge = steel, zinc plated Internal parts = hardened steel Body = high strength alloy
Rated Flow	80 LPM
Adjustment Range	80 - 280 bar
Standard Setting	80 bar
Pressure Inc. Per Turn	40 bar
Max. Setting	280 bar
Cartridge with Body Weight	0.730 kg
Installation Torque	70-80 Nm
Port Sizes	PT = G3/4
Adjustment Type	Leakproof screw
Oil Temperature Range	-20°C + 80°C
Recommended Filtration	Nominal max. 10µ, ISO 4406-19/17/14 (NAS8) or less
Ambient Temperature Range	-30°C + 60°C

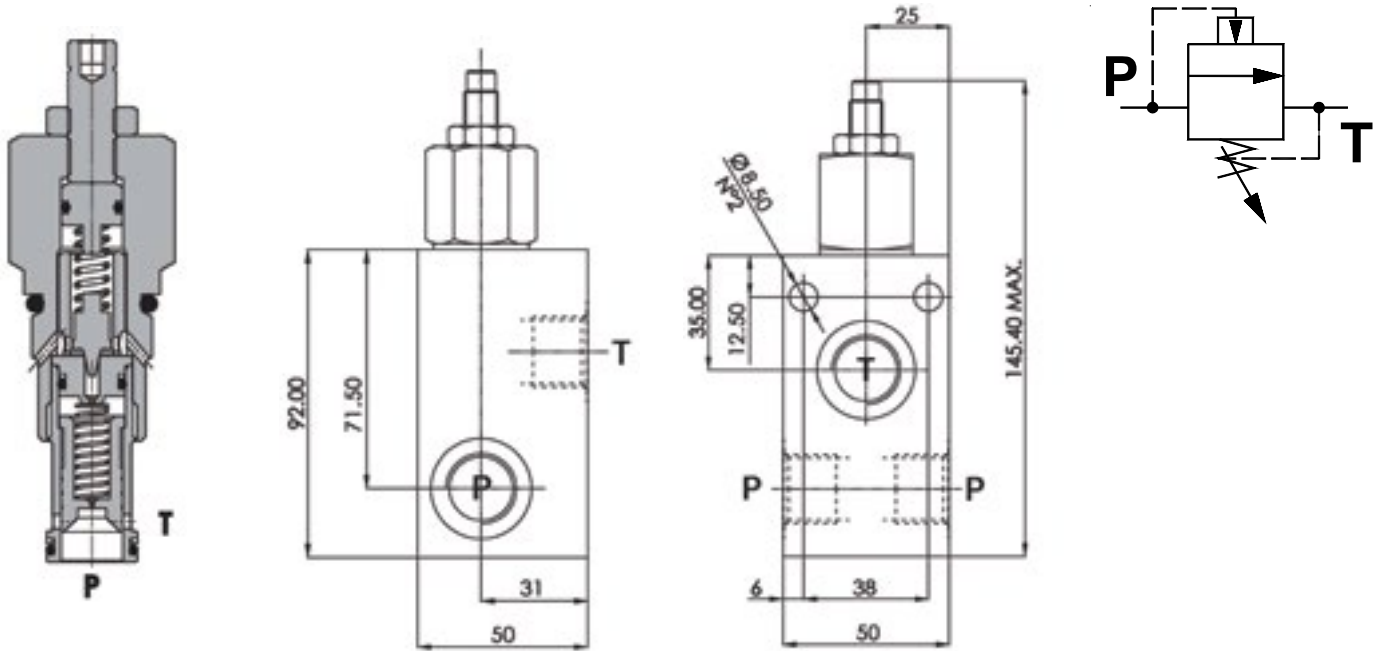
Pressure Drop Curves





RELIEF VALVES

Line Mounted, Pilot Operated, Sliding Spool Relief Valve
FPM-P-150-CB-P-3/4-20



Technical Specifications

Materials	Cartridge = steel, zinc plated Internal parts = hardened steel Body = high strength aluminium alloy
Rated Flow	150 LPM
Adjustment Range	15-250 bar
Standard Setting	15 bar
Pressure Inc. Per Turn	55 bar
Max. Pressure	210 bar
Weight	0.650 kg
Installation Torque	60 Nm
Port Sizes	G3/4
Adjustment Type	Leakproof screw
Oil Temperature Range	-20°C + 80°C
Recommended Filtration	Nominal max. 10µ, ISO 4406-19/17/14 (NAS8) or less
Ambient Temperature Range	-30°C + 60°C

Pressure Drop Curves

