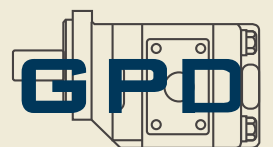
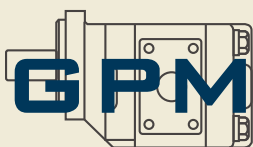
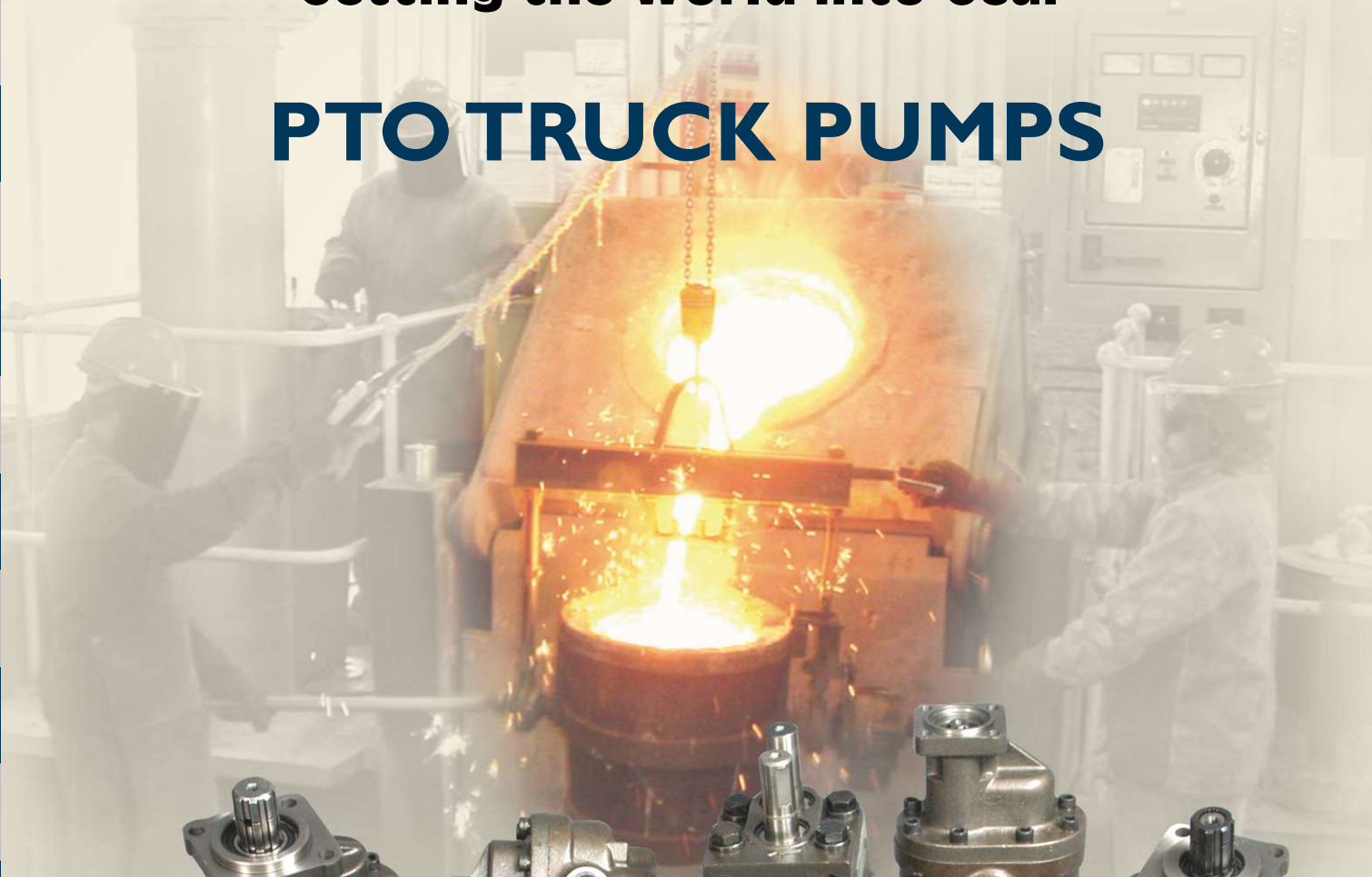


# Gear Pump Manufacturing

Getting the World into Gear

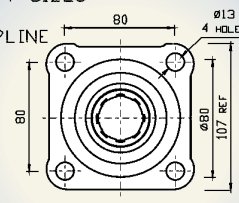
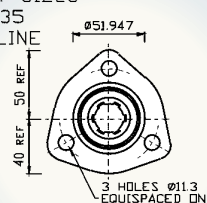
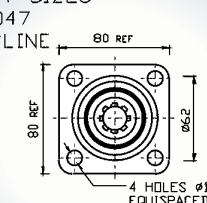
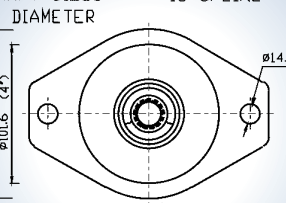
## PTO TRUCK PUMPS



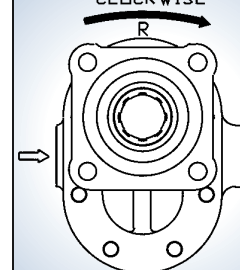
Manufactured in South Africa

### PTO TRUCK PUMP DIMENSIONS

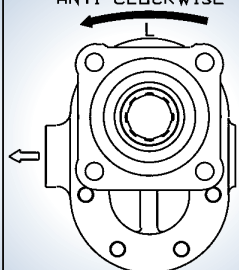
Manufactured in South Africa

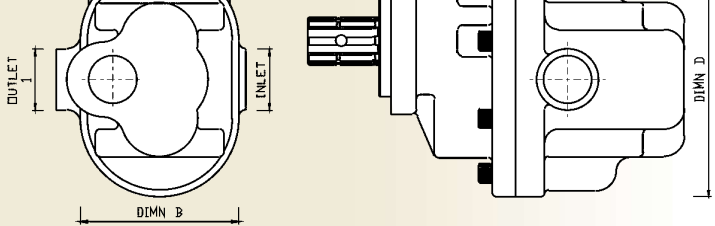
<p>SHAFT SIZES Ø36 8 SPLINE</p>  <p>DIN</p>	<p>SHAFT SIZES Ø24.635 6 SPLINE</p>  <p>UNI</p>	<p>SHAFT SIZES Ø22.047 8 SPLINE</p>  <p>AUS</p>	<p>SHAFT SIZES 13 SPLINE 2" DIAMETER</p>  <p>SAE B</p>
--	--	---	---

CLOCKWISE



ANTI CLOCKWISE





**DIMENSIONS (MM)**

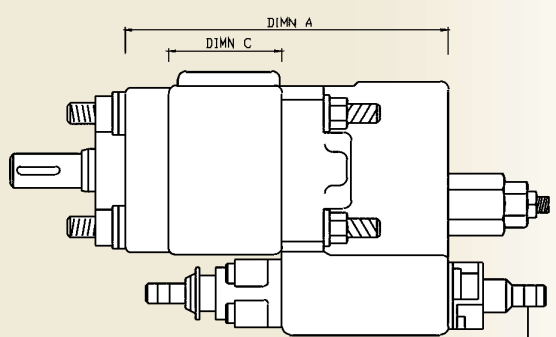
TYPE	A				B	C	D
	DIN	UNI	AUS	SAE B			
24	164	170	181	163	98	83	143
32	170	176	188	169	98	89	143
40	177	183	194	175	98	96	143
48	183	189	200	182	98	102	143
52	177	183	194	185	106	96	157
62	183	189	200	191	106	102	157
73	194	200	214	184	115	104	172
80	197	203	217	187	115	107	172
88	200	206	220	190	115	110	172
102	206	212	226	196	115	116	172
118	213	219	233	203	115	123	172
132	219	225	239	209	115	129	172
147	226	232	246	216	115	136	172

SEE PORT SIZES OPPOSITE

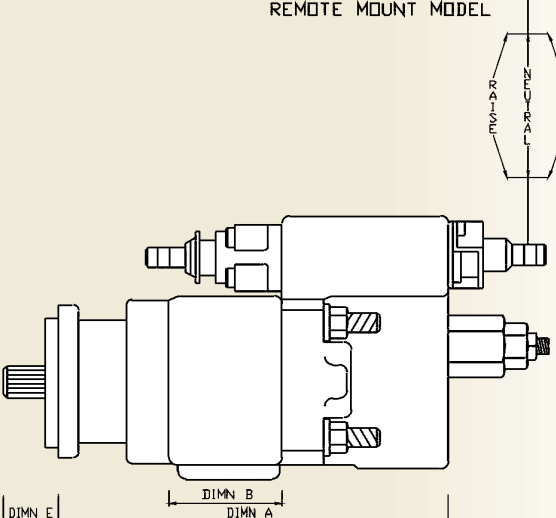
- Working Pressure up to 300 BAR
- High Strength Steel Gears
- Quality Compacted Graphite Bodies
- Heavy Duty Bushing Design
- Pressure Balanced Thrust Plates
- Interchangeable Parts

### \* DUMP PUMP DIMENSIONS

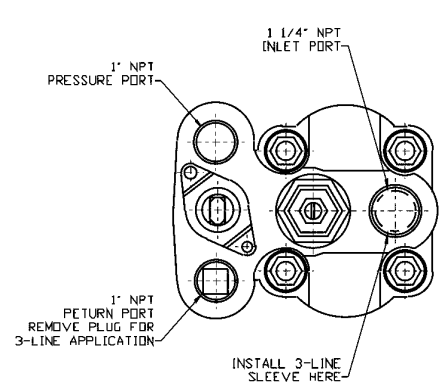
Manufactured in South Africa



REMOTE MOUNT MODEL



DIRECT MOUNT MODEL



REAR VIEW FOR BOTH MODELS

**DIMENSIONS (MM)**

	A	B	C	D	E
<b>REMOTE MOUNT</b>					
GP110 - 15	238	57	191	159	N / A
GP110 - 20	251	70	191	159	N / A
GP110 - 25	263	83	191	159	N / A
<b>DIRECT MOUNT</b>					
GP112 - 15	270	57	191	159	41
GP112 - 20	283	70	191	159	41
GP112 - 25	296	83	191	159	41



**CODE**

Manufactured in South Africa

**PTO TRUCK RANGE**

	07	10	12	13	15	17	20	22	25
<b>FRAME GP230</b>									
<b>PART NUMBER</b>	<b>GP3-024</b>	<b>GP3-032</b>	<b>GP3-040</b>						<b>GP3-048</b>
GEAR SIZE (IN)	0.75	1.00	1.25						1.50
DISPLACEMENT (CM <sup>3</sup> /REV)	24	32	40						48
PRESSURE (BAR)	300	300	300						300
INLET PORT (BSPP)	1.00	1.00	1.00						1.00
OUTLET PORT (BSPP x 2)	0.75	0.75	0.75						0.75
WEIGHT (KG)	9.75	10.0	10.25						10.5

<b>FRAME GP250</b>									
<b>PART NUMBER</b>			<b>GP3-052</b>						<b>GP3-062</b>
GEAR SIZE (IN)			1.25						1.50
DISPLACEMENT (CM <sup>3</sup> /REV)			52						62
PRESSURE (BAR)			300						300
INLET PORT (BSPP)			1.00						1.00
OUTLET PORT (BSPP x 2)			1.00						1.00
WEIGHT (KG)			10.5						12.0

# PTO TRUCK Pump Specifications

**G = GPM P = PUMP M = MOTOR**

<b>FRAME GP265</b>									
<b>PART NUMBER</b>			<b>GP3-073</b>	<b>GP3-080</b>	<b>GP3-088</b>	<b>GP3-102</b>	<b>GP3-118</b>	<b>GP3-132</b>	<b>GP3-147</b>
GEAR SIZE (IN)			1.25	1.38	1.50	1.75	2.00	2.25	2.50
DISPLACEMENT (CM <sup>3</sup> /REV)			73	80	88	102	118	132	147
PRESSURE (BAR)			270	270	270	240	240	220	200
INLET PORT (BSPP)			1.25	1.25	1.25	1.25	1.25	1.50	1.50
OUTLET PORT (BSPP x 2)			1.00	1.00	1.00	1.00	1.00	1.00	1.00
WEIGHT (KG)			13.5	14.0	14.5	15.5	16.0	16.5	17

**CODE**

Manufactured in South Africa

**\* DUMP PUMP RANGE**

	07	10	12	13	15	17	20	22	25	
<b>REMOTE MOUNT / TWIN SHAFT - mounting bracket optional</b>										
<b>PART NUMBER</b>						<b>GP110-15</b>		<b>GP110-20</b>		<b>GP110-25</b>
GEAR SIZE (IN)						1.50		2.00		2.50
DISPLACEMENT (CM <sup>3</sup> /REV)						62.6		83.5		104.4
PRESSURE (BAR)						172		172		172
INLET PORT (NPT)						1.25		1.25		1.25
OUTLET PORT (NPT)						1.00		1.00		1.00
WEIGHT (KG)						27.5		28.5		29.5

<b>DIRECT MOUNT SAE B/13 SPLINE</b>										
<b>PART NUMBER</b>						<b>GP112-15</b>		<b>GP112-20</b>		<b>GP112-25</b>
GEAR SIZE (IN)						1.50		2.00		2.50
DISPLACEMENT (CM <sup>3</sup> /REV)						62.6		83.5		104.4
PRESSURE (BAR)						172		172		172
INLET PORT (NPT)						1.25		1.25		1.25
OUTLET PORT (NPT)						1.00		1.00		1.00
WEIGHT (KG)						29		30		31

<b>PAD MOUNT / TWIN SHAFT</b>									
<b>PART NUMBER</b>							<b>GP113-20</b>	<b>GP113-22</b>	<b>GP113-25</b>
GEAR SIZE (IN)							2.00	2.25	2.50
DISPLACEMENT (CM <sup>3</sup> /REV)							83.5	94.0	104.4
PRESSURE (BAR)							172	172	172
INLET PORT (NPT)							1.50	1.50	1.50
OUTLET PORT (ODT)							0.75	0.75	0.75
WEIGHT (KG)							20.5	21.5	22.5



THE ABOVE DATA ARE AVERAGE RESULTS BASED ON A SERIES OF TESTS AND ARE NOT NECESSARILY REPRESENTATIVE OF ANY SINGLE UNIT. GEAR PUMP MANUFACTURING RESERVES THE RIGHT TO AMEND THE TECHNICAL DATA WITHOUT NOTICE.